

NMTLED 585*

High-powered modular multiple light



NLED5853C / NLED5853D



NLED5851C / NLED5851D



NLED5852C / NLED5852D



APPLICATIONS

- Retail stores
- Shopping malls
- Hotels and restaurants

TECHNICAL DETAILS

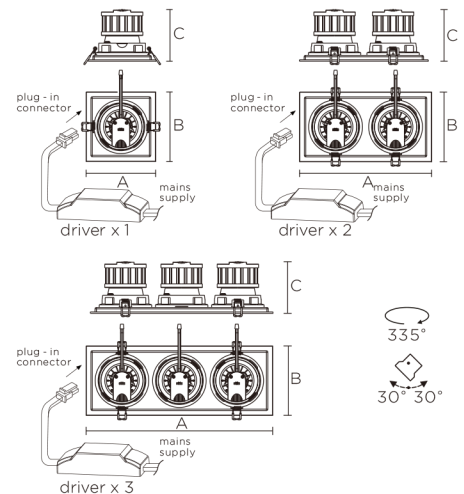
- COB LEDs
- Large diameter acrylic lens for precise beam angle and light control
- Choice of two wattages (24W or 35W) per module and 1, 2 or 3 modules per fitting
- Rated life: 30,000 hours

CONSTRUCTION

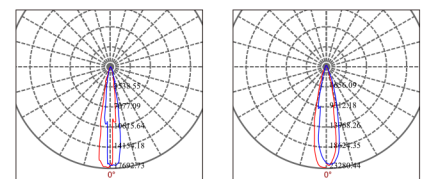
- Adjustable angle: horizontal 335°, vertical 30°
- Steel bezel and body with a choice of white (WH) or black (BK) painted finish
- LED module is easily removed and replaced if required for maintenance purposes
- 24W and 35W modules are both the same size, so fittings of different wattages can be mixed in the same installation and retain a uniform appearance
- Separate driver for each head included

OPTIONS

- **Bezel colour:** Choices of semi white or black
- **Beam angle:** Choices of 15°, 24° or 36°
- **Emergency:** 1.5 hours or 3 hours emergency kit (EM001/002) available. see page 130



Watts	A	B	C	Cut-out
24W/35W	145	145	110	130x130
2x24W/2x35W	275	145	110	130x260
3x24W/3x35W	390	145	110	130x375



NMTLED5851C 24W 15° NMTLED5851C 24W 24°

Model	Colour temp.	Lumens	CRI	PF	Beam angle
NMTLED5851C 24W	3000K/3500K/4000K/5700K	2140lm	>80	>0.95	15°/24°/36°
NMTLED5852C 2x24W	3000K/3500K/4000K/5700K	4270lm	>80	>0.95	15°/24°/36°
NMTLED5853C 3x24W	3000K/3500K/4000K/5700K	6320lm	>80	>0.95	15°/24°/36°
NMTLED5851D 35W	3000K/3500K/4000K/5700K	2800lm	>80	>0.95	15°/24°/36°
NMTLED5852D 2x35W	3000K/3500K/4000K/5700K	5300lm	>80	>0.95	15°/24°/36°
NMTLED5853D 3x35W	3000K/3500K/4000K/5700K	8370lm	>80	>0.95	15°/24°/36°