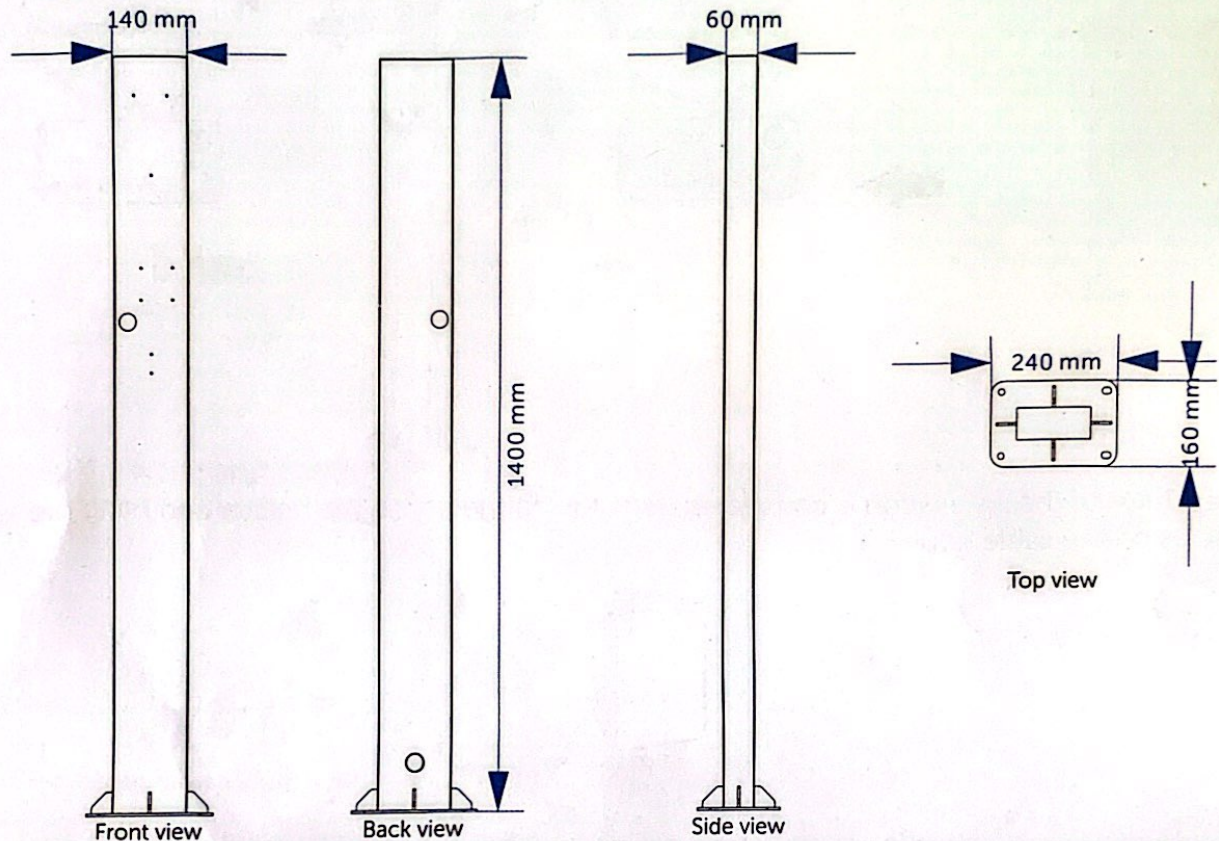


# Quick Installation Guide

## EVC Pedestal

### 1. Introduction

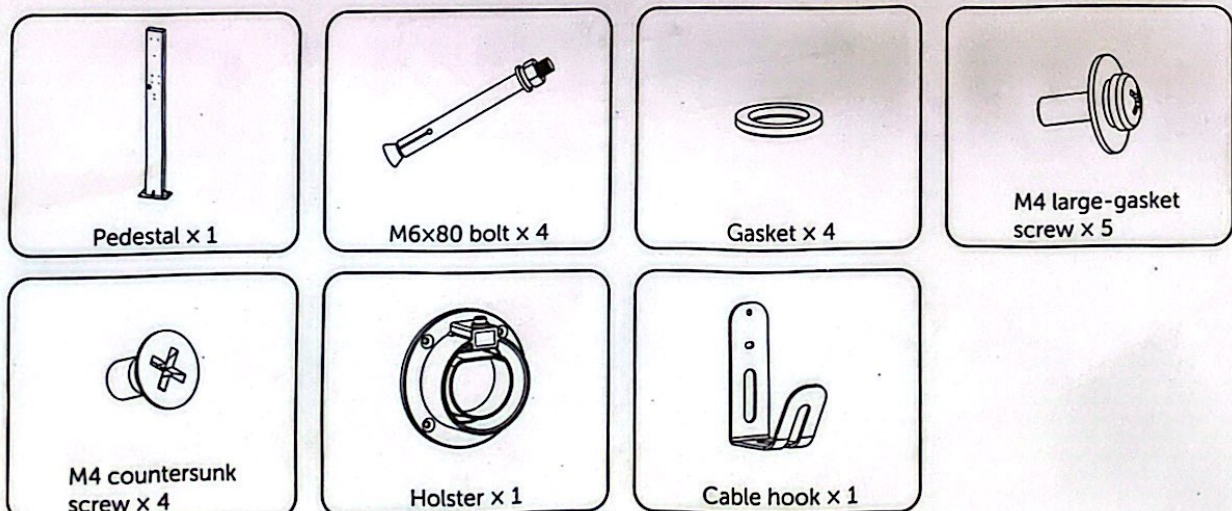
The EVC Pedestal can be installed with the EV-Charger and facilitate its installation work. The pedestal must be installed on a hard surface (Concrete surface is recommended), it can also be mounted on a solid ground.



### 2. Preparation

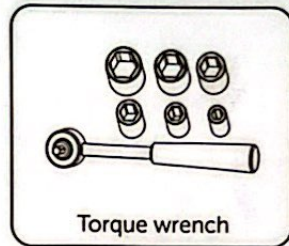
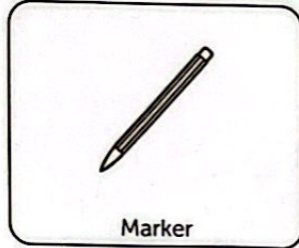
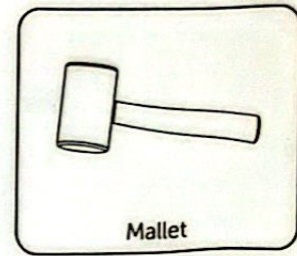
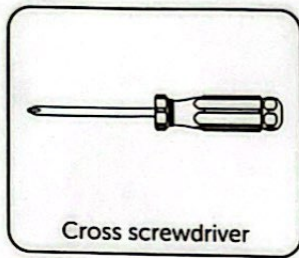
#### 2.1 Packing List Checking

Before installation, make sure nothing inside the package is damaged. The following items should be inside the package.



## 2.2 Tools

Prepare the following tools before installation.

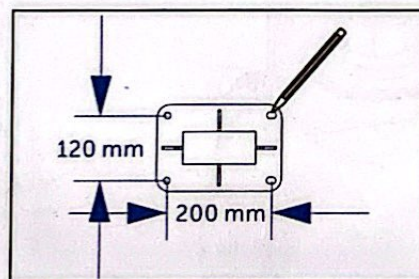


## 2.3 Others

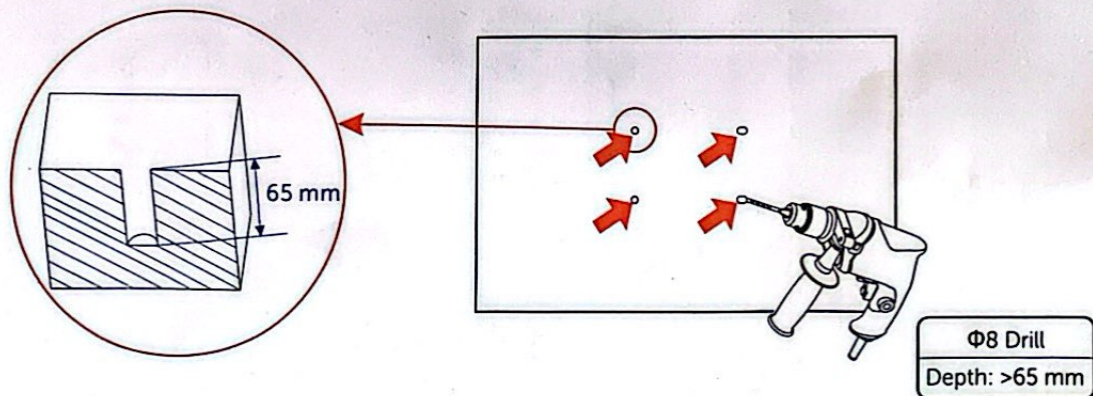
Please prepare the EV-Charger in advance and determine the route of input cable and communication cable of the EV-Charger through the pedestal (from the bottom or from the top).

## 3. Installation Steps

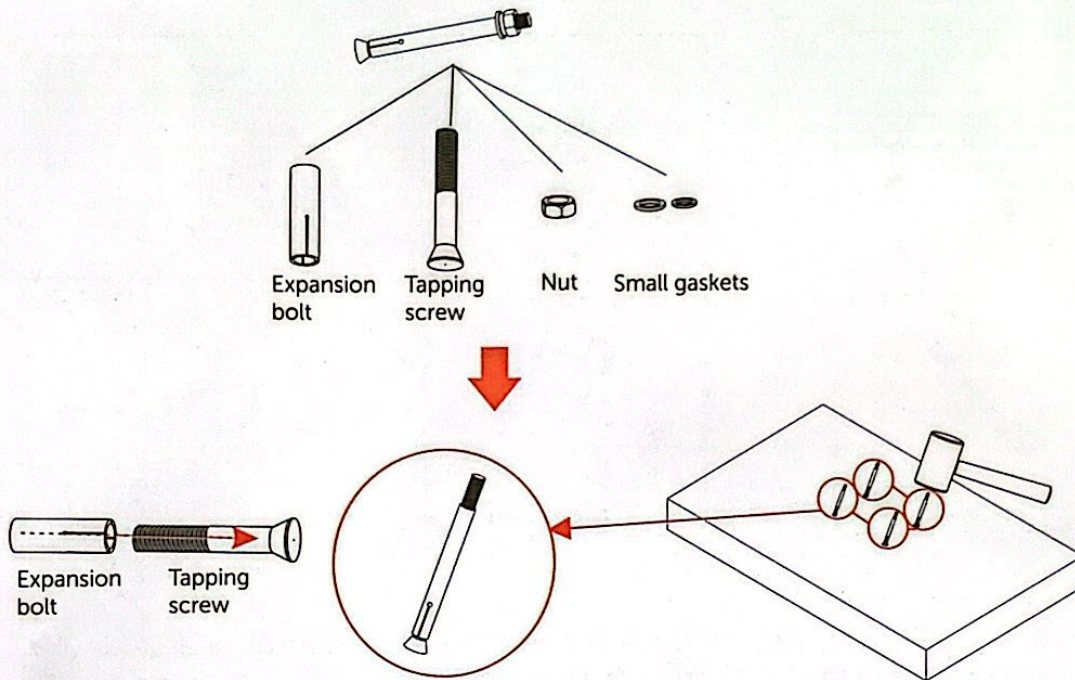
Step 1: Place the pedestal where you plan to install it, and mark the positions of the four holes using the holes at the base of the pedestal as a template.



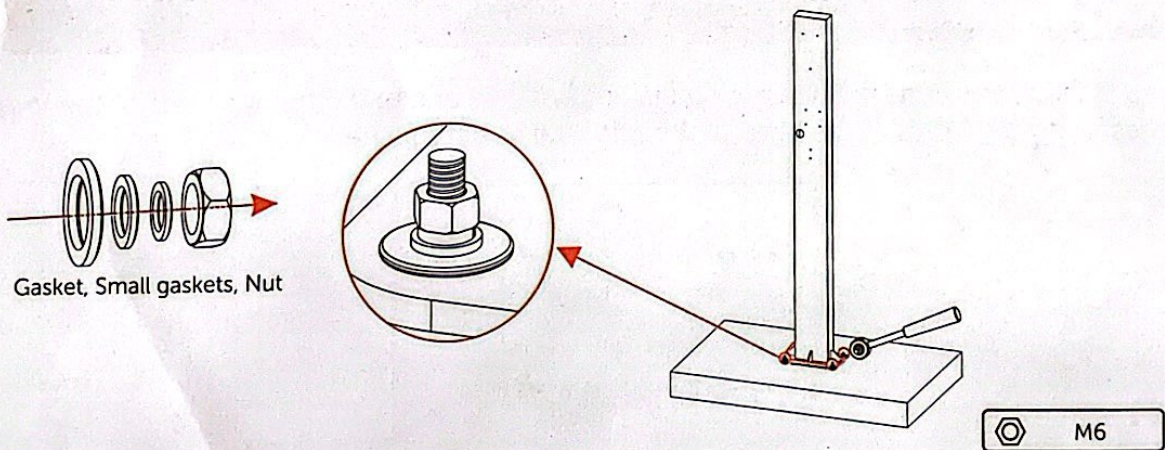
Step 2: Remove the pedestal and drill holes at the marked positions using a Φ8 drill with a depth of at least 65 mm.



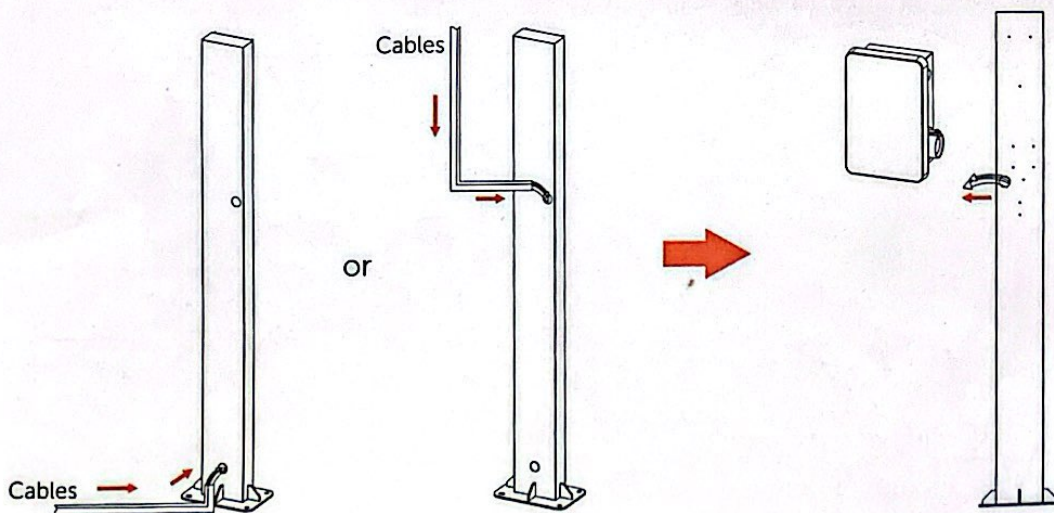
Step 3: Find the M6x80 bolts and disassemble as following. Then insert the expansion bolts with tapping screws into the drilled holes and secure the bolts with a mallet.



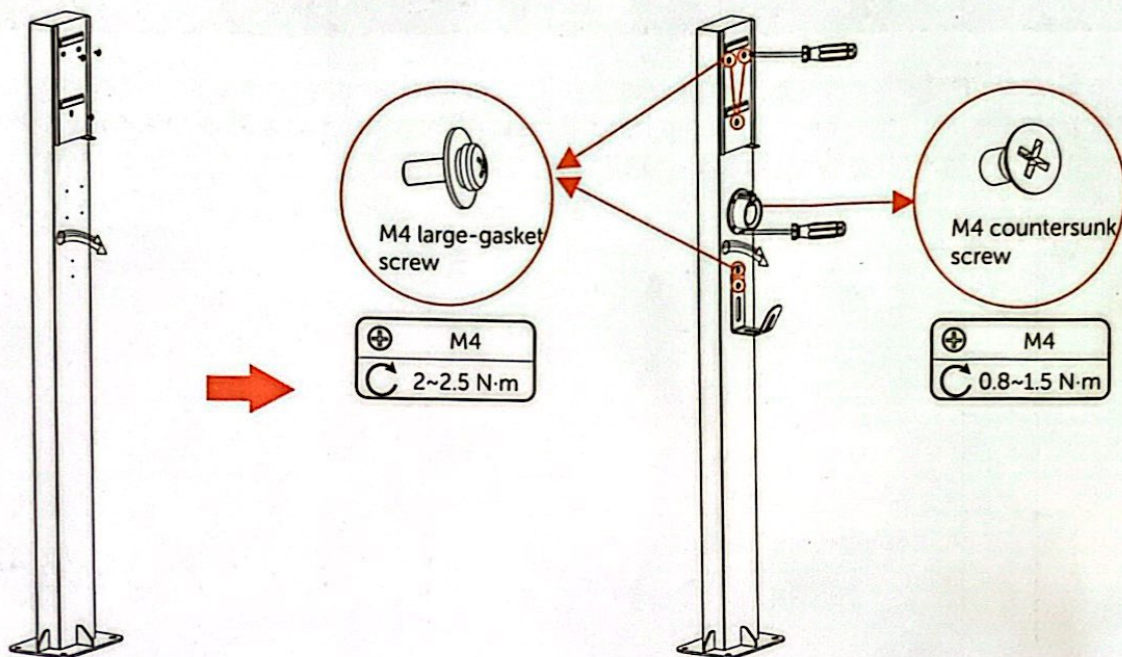
Step 4: Fix the pedestal with the nuts and gaskets using the torque wrench.



Step 5: Thread the input and communication cables through the pedestal. The cables shall go into the pedestal from the back and come out of it from the area below the holster.



Step 6: Fix the back bracket of the EV-Charger, the holster and the cable hook on the pedestal with the screws from the accessory bag of the pedestal instead of the ones of the EV-Charger. For the installation of the EV-Charger, please refer to the corresponding manual or installation guide.



Step 7: Once the installation is completed, plug the connector to the holster and hang the cables on the cable hook.

